

6

5

4

3

2

1

D

C

B

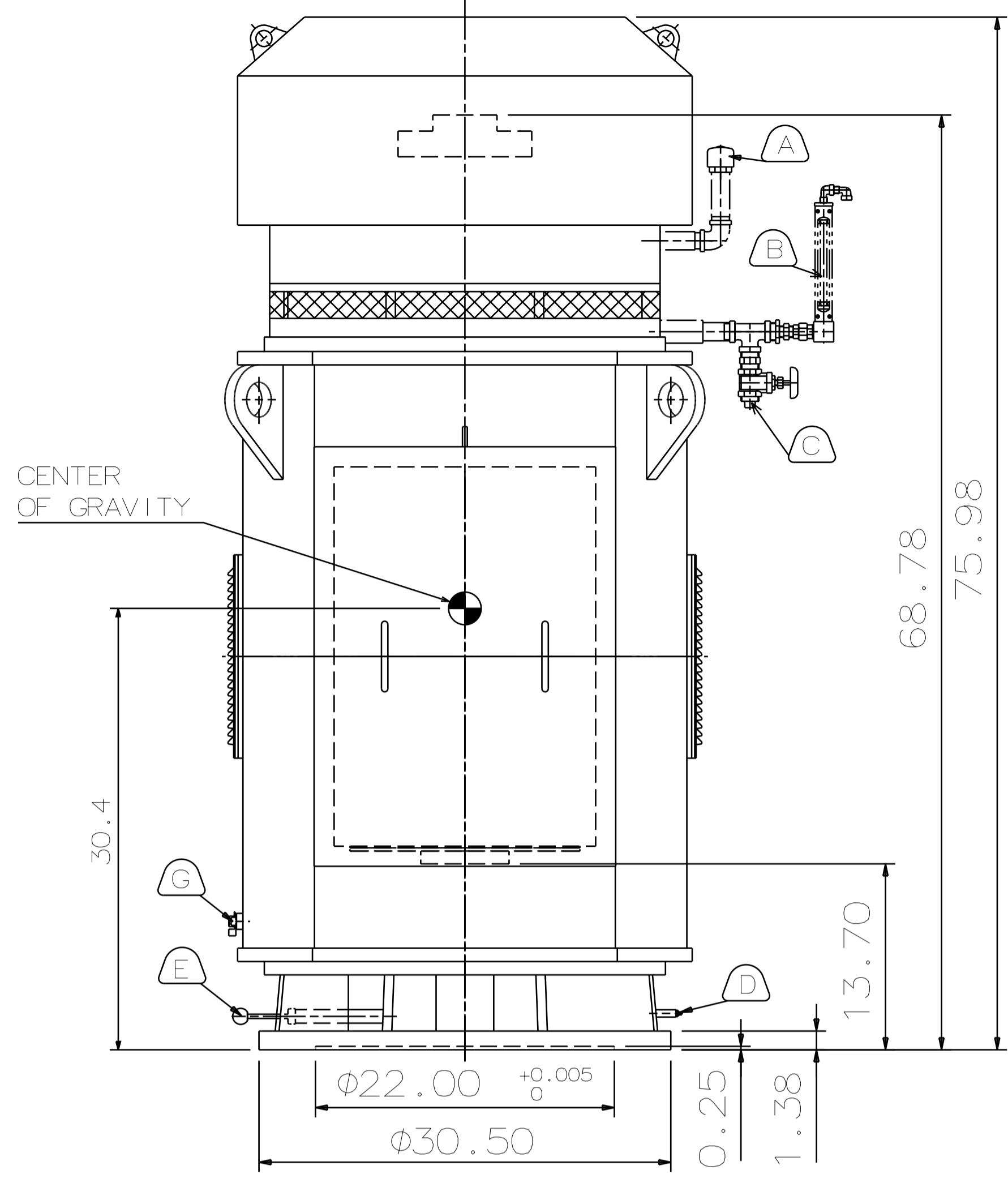
A

D

C

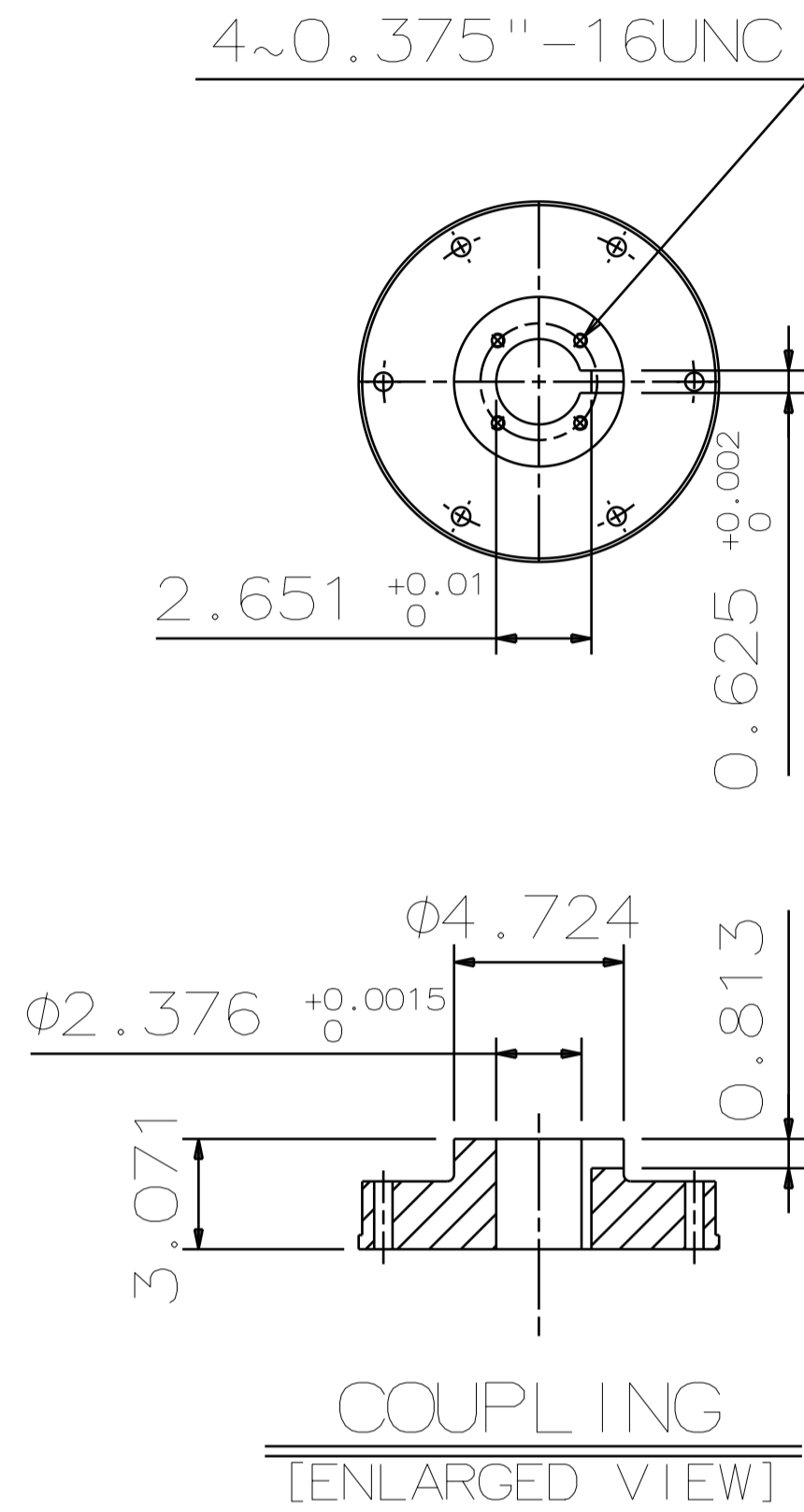
B

A

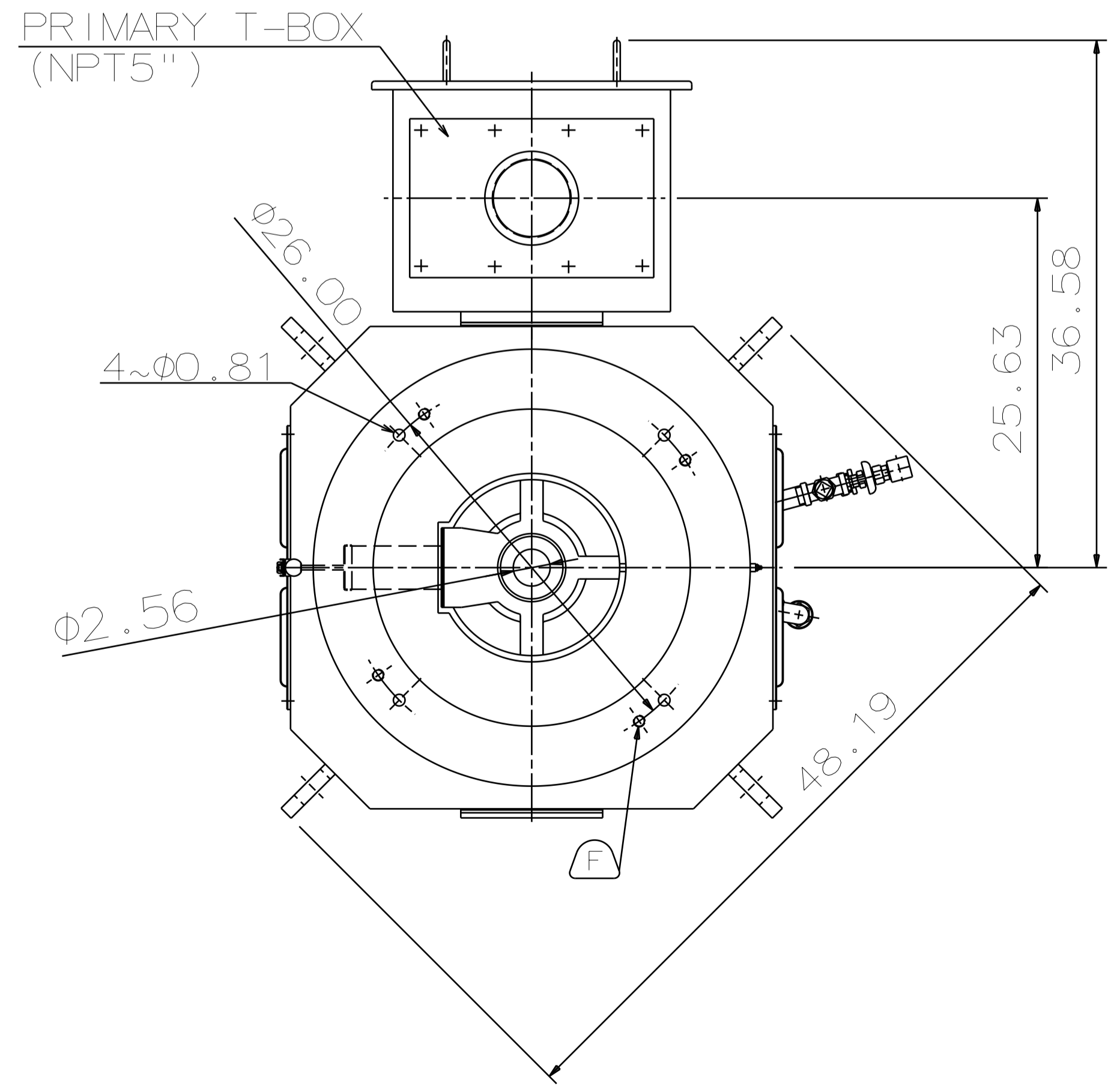


TYPE	OUTPUT		POLE	TIME RATING	VOLTAGE V	Hz	SYN. SPEED R.P.M
	HP.	kW.					
AMRKNH	900	671.1	6	CONT	2300/4000	60	1200

ENCLOSED VENTILATED VERTICAL HOLLOW SHAFT TYPE, SQUIRREL CAGE ROTOR  
NEMA WEATHER PROTECTED TYPE I



- NOTE:
- DIMENSIONS IN INCH
  - FRAME NO.5810
  - F CLASS INSULATION, S.F. 1.15
  - FOR DIRECT COUPLING
  - BEARING SIZE:  
UPPER BEARING: 29330+6028 (INSULATED)  
LOWER BEARING: 6224C3 [UNINSULATED]
  - UPPER BEARING IS INSULATED. ANY METAL CONNECTIONS TO IT MUST BE INSULATED.
  - LUBRICATION:  
UPPER BEARING USE OIL.  
OIL VISCOSITY: ISO VG68 [300 SSU/100°F]  
OIL QUANTITY: 2.9 GAL.  
LOWER BEARING USE GREASE. [MOBIL POLYREX EM]
  - ROTATION: COUNTER-CLOCKWISE [VIEW FROM TOP].
  - WITH NON-REVERSE RATCHET MECHANISM.
  - WITH GIB KEY: 0.625X0.625X3.07, 1PCS
  - APPROXIMATE WEIGHT: 5960
  - DOWNTHRUST: 33,000 LBS (L10-8800HRS)
  - REED FREQUENCY: 27 HZ
  - SPACE HEATER RATED AT 120 VOLT, SINGLE PHASE, 200 WATTS, LEADS TERMINATE IN MAIN LEAD BOX.



- (A) OIL FILLER [UPPER BEARING]
- (B) OIL GAUGE [UPPER BEARING]
- (C) OIL DRAIN [UPPER BEARING]
- (D) GREASE INLET [LOWER BEARING]
- (E) GREASE DISCHARGER [LOWER BEARING]
- (F) 4~M20 VERTICAL JACKING HOLES, 90°APART IN MOTOR BASE.
- (G) M10 TAPPED GROUNDING ON FRAME, WITH ONE GROUNDING STUDS & [R38-10] TERMINAL LOCATED AS SHOWN.

DATE	DEC 08 2016	OUTLINE DIMENSIONS	
	VHKP9006	3-PHASE INDUCTION MOTOR	
DWG NO.	4B040L488	REV:00	

DWN.	Y. YANG	JUN.02.2015
CHKD.	R. LEE	JUN.02.2015
APPD.	C. LIU	JUN.02.2015

TECO Westinghouse

6

5

4

3

2

1

